

CABLE 126 RF: RF CABLE ASSEMBLY, I-PEX MHF IV PLUG + SMA JACK BULKHEAD MOUNT W/0.81MM CABLE - 3GHz

SPECIFICATIONS

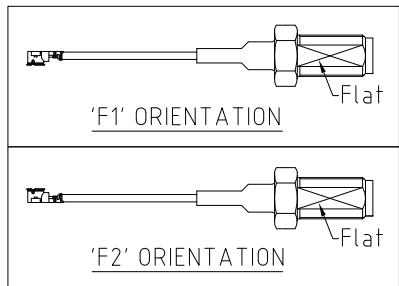
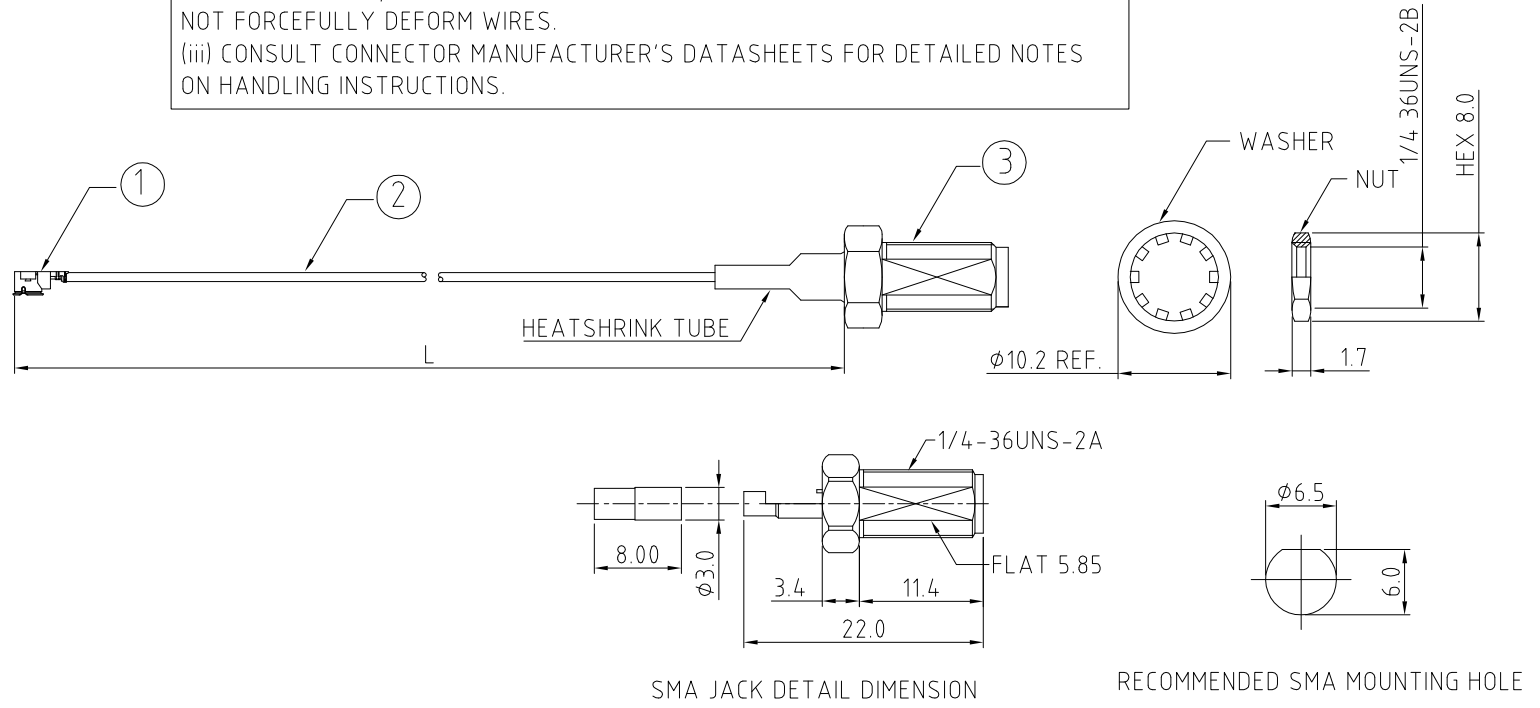
1. I-PEX MHF IV PLUG (20448-001R-081)
2. 0.81 COAXIAL CABLE (GRAY)
3. SMA ST BULKHEAD JACK (C02ABWS178003B), GOLD

NOTES:

1. THE ORIENTATION OF CONNECTORS ON DRAWING IS FOR REFERENCE ONLY, IF THE ORDER IS LEFT BLANK THE CONNECTOR WILL NOT HAVE FIXED ORIENTATION.
2. FIXED ORIENTATION IS POSSIBLE FOR CABLE LENGTH 25MM TO 220MM. PLEASE SPECIFY THE FIXED ORIENTATIONS FROM THE ORDER CODE (F1, F2, ETC)
3. CONTACT GRAD CONN IF THE ORIENTATION YOU REQUIRE IS NOT SHOWN.
4. WORKING FREQUENCY RANGE: DC-3GHz.

USAGE PRECAUTIONS: CABLES USING 'MICRO' COAX ARE DELICATE:

- (i) HANDLE WITH CARE.
- (ii) DO NOT TWIST; APPLY EXCESSIVE FORCES OR SHARP BENDS TO THE CABLE. DO NOT FORCEFULLY DEFORM WIRES.
- (iii) CONSULT CONNECTOR MANUFACTURER'S DATASHEETS FOR DETAILED NOTES ON HANDLING INSTRUCTIONS.



HOW TO ORDER
CABLE 126 RF - XXX - XX - X

"L" LENGTH IN MM
eg: 100MM = 100
(MIN. = 025, MAX. = 400)
STANDARD = 100, 150, 200)
Tolerance: <50mm : ±2mm.
51-200mm : ±5mm.
201-400mm : ±7mm.

BLANK = DOES NOT HAVE A FIXED ORIENTATION
F1 = MHF CONNECTION DOWN (L=25-220MM)
F2 = MHF CONNECTION UP (L=25-220MM)
(SEE NOTES 1, 2, 3 AND DIAGRAMS FOR MORE INFORMATION)

WASHER AND NUT OPTIONS:
BLANK = SEPERATELY PACKED (STANDARD)
A = ASSEMBLED WITH CONNECTOR

REV. DATE & DRN
10 27/09/11 - NYW RELEASE

Scale: NTS	THIRD ANGLE	Unstated X .XX .XXX ANGLES	Tolerances: ±0.2 ±0.1 ±0.05 ±5	Material SEE NOTE
Drawn: NYW				
App'd: XXX	Title: CABLE ASSEMBLY	NOT TO SCALE		
Date: 27 SEP '11	Revision: 1.0	Unit: mm		

www.gradconn.com

THIS DRAWING IS CONFIDENTIAL AND MUST NOT BE COPIED OR DISCLOSED WITHOUT WRITTEN CONSENT

Type: Cable 126 RF
CABLE 126 RF
Drawing Number:
Sheet 1 of 1
Drawing C 0 E and 0 E